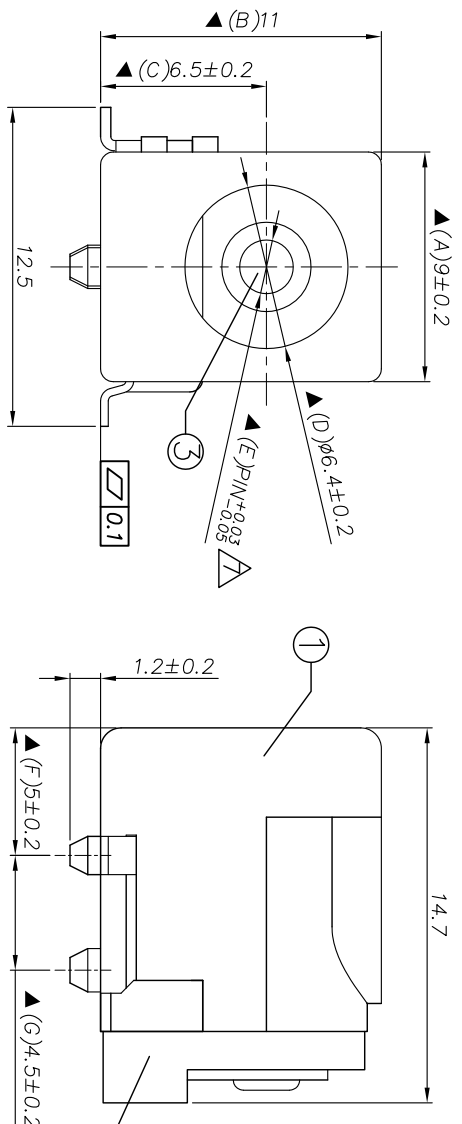
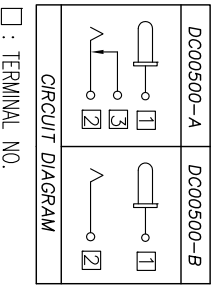
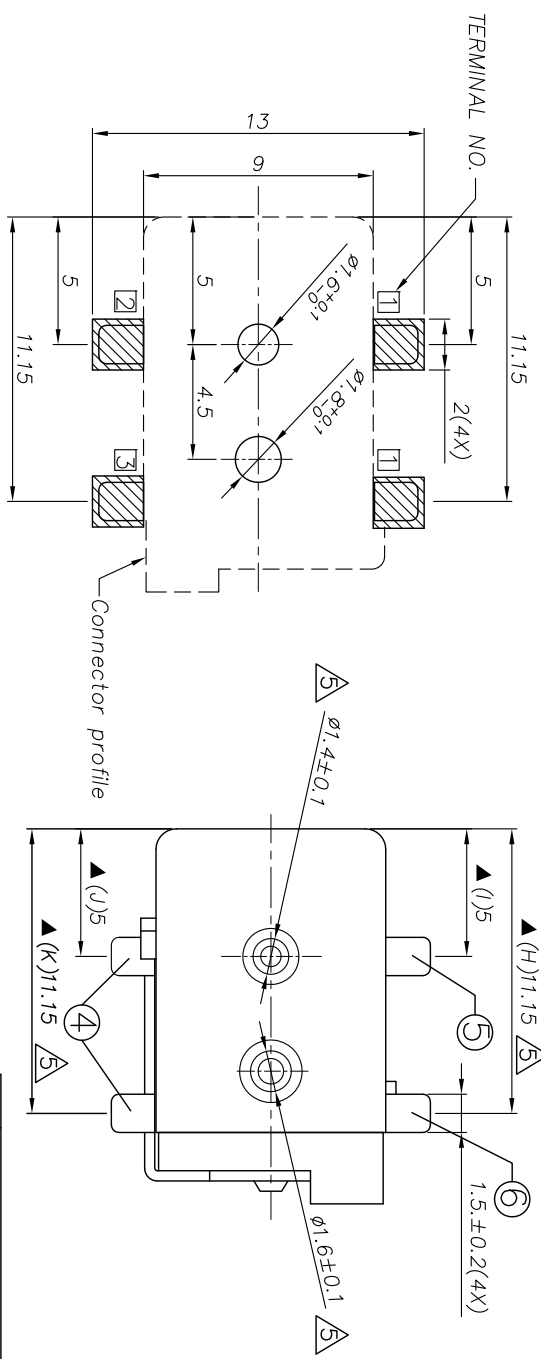


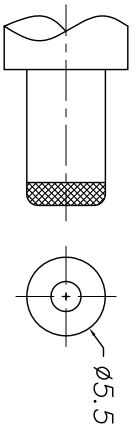
REV. LTR	DESCRIPTION	SIGN	DATE
△X4	Update drawing per actual part	Zhangxiuke	2011.06.24
△6	Update drawing	Zhangxiuke	2011.07.22
△A	Update drawing	Matt	2014.07.16.



Ordering information:
 DC00500-□ □
 (1) (2) (3)
 (1): Series No.
 (2): Schematic option: A, B
 (3): Center pin diameter:
 H=∅2.0 I=∅2.35 J=∅2.5



Model No.	DC00500- <u> </u> H	DC00500- <u> </u> J	DC00500- <u> </u> J
PIN	∅2.0	∅2.35	∅2.5



- Specification:
- Rating : DC 20V 5A.
 - Contact resistance: ≤30mΩ.
 - After test: ≤50mΩ
 - Insulation resistance: ≥100MΩ (500VDC).
 - After test: ≥50MΩ
 - Withstanding voltage: 500VAC.
 - Insertion and extraction force: 3N-30N.
 - Life test: 5000 cycles min.
 - Operation temperature range: -20°C~70°C.
 - Preservative temperature range: -40°C~85°C.
 - Sign "▲" is importance dimension.

NO.	DESCRIPTION	QTY	MATERIAL	PART NO.	REMARK
⑥	Shunt terminal	1	Brass t0.4	DC00500-03(WP-11113)	Silver plating(3-6um)
⑤	Tip spring	1	Phosphor bronze t0.3	DC00500-02(IP-11115)	Silver plating(3-6um)
④	Center pin terminal	1	Brass t0.4	DC00500-01(WP-11114)	Silver plating(3-6um)
③	Center pin	1	Copper alloy	DC00050-99H/1/J	Copper tin/Nickel plating(2-4um)
②	Cover	1	PA9T	DC00500-S2(GZ-11116)	Black
①	Housing	1	PA9T	DC00500-S1(ST-11112)	Black

UNIT:MM	TYPE:	MODEL NO.:	PAPER NO.:	SCALE	VER
DC POWER JACK	DC00500- <u> </u> - <u> </u>	A4	±0.3	±2'	N/A

DESIGNER BY:	DATE:	CHECK BY:	DATE:	APPROVED BY:	DATE:
PJ	2012.04.19	Matt	2012.04.19	Ocean	2012.04.19

BLUE SOURCES ELECTRONICS CO.,LTD.

丞永實業有限公司